



BTS-SS10C-C480DN

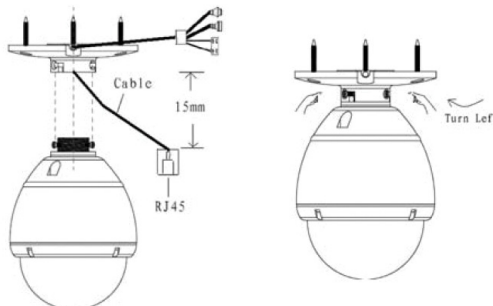
1/3" Sony Super HAD CCD Indoor Mini Pan Tilt Zoom (PTZ) Day & Night Camera



- 1/3" Sony Super HAD CCD
- 480TVL
- 10x Optical Zoom, 10x Digital Zoom
- 1.5 Lux (F1.8/50 IRE) 0.02 Lux @ ICR "on"
- 12Vdc



Mechanical IR Cut Filter (ICR)



SPECIFICATIONS

| TV Systems | PAL | NTSC |
|---------------------------|--|------|
| SYNC System | Internal Mode/ External (AC Lock) Mode (\pm Hz) | |
| Scanning System | 1:2 Interface | |
| Image Pickup Device (CCD) | Sony ICX228AK | |
| Effective Pixels | 768(H) x 494(V) | |
| Signal to Noise Ratio | More than 48dB ($\gamma=1$, AGC OFF, APC OFF, Y-out) | |
| Horizontal Resolution | 480TVL | |
| Synchronizing System | Internal | |
| Lens | F1.6(W)~1.9(T); f=3.7(W)~37.8(T)mm | |
| Zoom | Hitachi Zoom Module (CZ4OHCM-1) 10x Optical Zoom/ 10x Digital Zoom | |
| White Balance | ATW/AWB/FIX (Zero Color Rolling) | |
| ALC | Auto/Fix (OSD Control) | |
| AGC | +24dB (Max) | |
| BLC Function | 48 Zone BLC (OSD Control) | |
| ICR Function | YES | |
| Minimum Illumination | 1.5Lux (F1.8/50IRE) ICR ON 0.02Lux | |
| Electronic Shutter | 1/60-1/120,000sec. Manual 8 Step | |
| GAMMA Correction | 0.45/1 | |
| Video Signal Output | 1.0Vp-p/75 Ω | |
| External Control | RS485 | |
| Pan | Speed 0.5~30°/s | |
| Tilt | Speed 0.5~30°/s | |
| Preset | 32 Preset Positions (Max) | |
| Auto Cruise | 6 Auto Cruising Tracks (Max) | |
| Operation Temperature | -10°C~50°C | |
| Operation Humidity | Within 85% RH | |
| Power Source | DC12V \pm 0.5V, 6W (Max) | |

* Specifications subject to change without notice